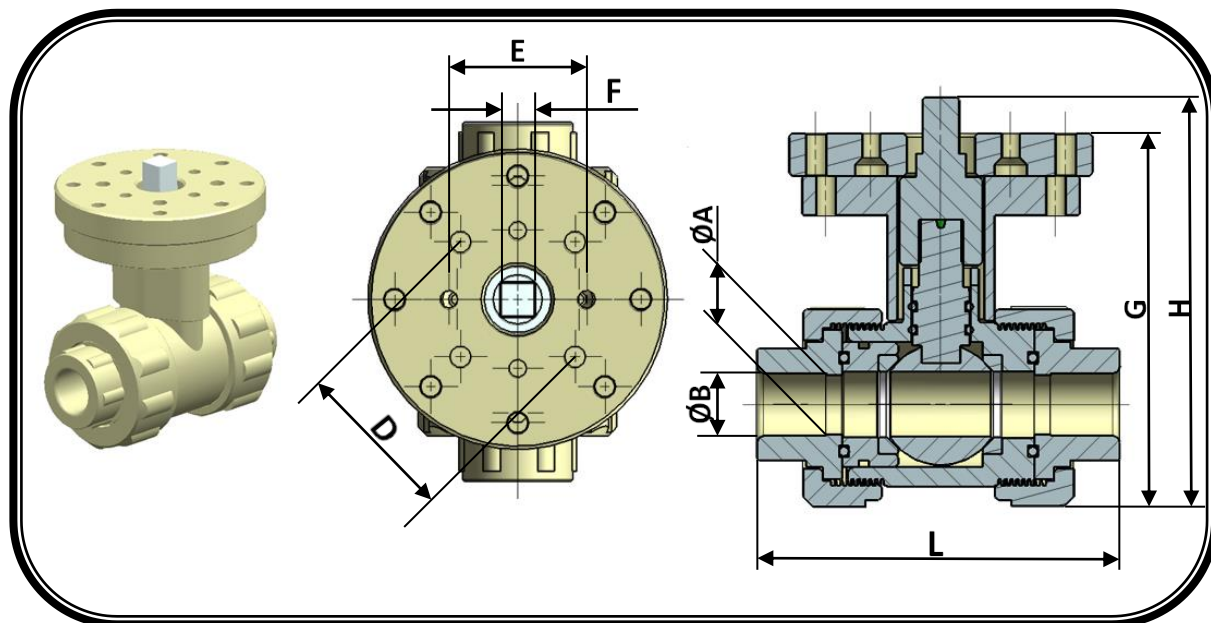




BUEU VÁLVULAS

DIMENSIONAL VÁLVULA DE ESFERA COM SUPORTES



DIMENSIONAL VALVULA ESFERA COM SUPORTE												
DN	B(rosca)	B(solda sch 40)	B(solda sch 80)	L.solda	L.rosca	L.flange	F □	E	D	G	H	A
1/2"	BSP 1/2"	PVC/PP/20mm	CPVC/21.3mm	113	113	169	9,11,14	40XM5	50XM6	100	112	18
3/4"	BSP 3/4"	PVC/PP/25mm	CPVC/26.7mm	114	114	170	9,11,14	40XM5	50XM6	100	112	20
1"	BSP 1"	PVC/PP/32mm	CPVC/33.4mm	128	128	198	9,11,14	40XM5	50XM6	109	121	25
1.1/4"	BSP 1.1/4"	PVC/PP/40mm	CPVC/42.2mm	160	160	230	9,11,14	40XM5	50XM6	150	165	38
1.1/2"	BSP 1.1/2"	PVC/PP/50mm	CPVC/48.3mm	162	162	232	9,11,14	40XM5	50XM6	150	165	40
2"	BSP 2"	PVC/PP/60mm	CPVC/60.3mm	181	181	269	9,11,14	40XM5	70XM8	180	195	50
2.1/2"	BSP 2.1/2"	PVC/PP/75mm	CPVC/73mm	215	215	305	11,14,17	50XM6	70XM8	220	235	63
3"	BSP 3"	PVC/PP/85mm	CPVC/88.9mm	218	218	336	11,14,17	50XM6	70XM8	220	235	76
4"	BSP 4"	PVC/PP/110mm	CPVC/114.3mm	254	254	390	11,14,17	50XM6	70XM8	253	268	98

A BUEU VALVULAS SE RESERVA O DIREITO DE ALTERAR AS DIMENSÕES SEM AVISO PREVIO.

www.bueu.com.br

Telefones: +55 11-2307-5432

+55 11-2309-5432

+55 11-2308-5432



BUEU VÁLVULAS

